



## SDS 6 Power Pak

Made in the U.S.A. since 1939

Gasoline Powered Vacuum Units



Conde PowerPak gasoline powered vacuum pump units are compact and available with either Conde vacuum/pressure or vacuum only pumps. Electric or pull start Honda engines can be specified. Standard with v-belt drive with beautiful diamond plate belt guard and trim. Conde PowerPak units are ready to quickly install on your system for your vacuum needs. Quality, reliability, and ease of operation!

### Conde SDS 6 Vacuum Pump

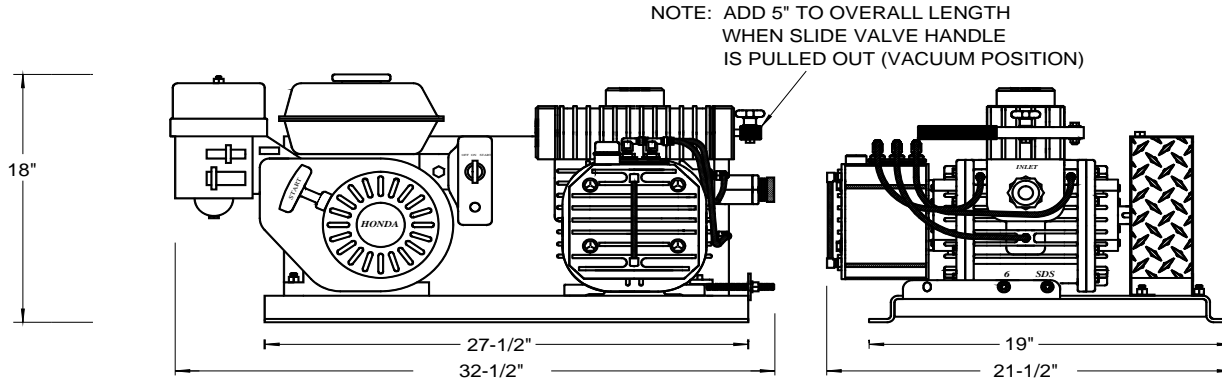
- \* 115 CFM Free Air.
- \* Double Shaft Design.
- \* O-Ring Seals Prevent Leakage.
- \* Automatic Oiling, No Adjustment.
- \* Low Profile, Mounts Where Others Can't.
- \* Sealed Bearings Require No Maintenance.
- \* End Thrust Protection.
- \* Tangential Rotor Design For Longer Vane Life.
- \* ONE YEAR WARRANTY

### Honda OHV Gasoline Engines

- \* OHV Head Design.
- \* Cast Iron Sleeve Cylinder.
- \* Ball Bearing Crankshaft.
- \* Automatic Oil Alert System Shuts Motor Down When Oil Is Low.
- \* Low Vibration & Noise.
- \* Low Maintenance.
- \* Easy Starting.
- \* Two Year Manufacturer's Warranty.



## DIMENSIONAL SPECIFICATIONS



## TECHNICAL SPECIFICATIONS

Part No.	OLUN06SDS09ES	HDUN06SDS09ES
CFM, FREE AIR	115	115
CFM, 15" Hg	55	55
Horsepower	9.0	9.0
Honda El. Start	YES	YES
Vacuum/Pressure	NO	YES
Vacuum Only	YES	NO
Maximum Vacuum	27" Hg	27" Hg
Maximum Pressure*	15 PSIG	15 PSIG
Weight	195 Lbs.	200 Lbs.
Oiler	Automatic	Automatic

\* Conde Pumps recommends that pressures on tank systems do not exceed 10 psi. Unit pressure relief vents are set at 5 to 10 psig. Pressure vents will relieve tank pressure when unit is shut off. For higher pressures consult factory.

## PERFORMANCE SPECIFICATIONS

### Tank Pull Down Time to 15" Hg

TANK SIZE	SDS 6, 9.0 HP
500 gallons	23 sec.
750 gallons	35 sec.
1000 gallons	47 sec.
1500 gallons	70 sec.
2000 gallons	93 sec.

**Conde'Pumps**

*Westmoor Ltd.*

906 West Hamilton Avenue  
P.O. Box 99  
Sherrill, New York 13461

Phone: 800-367-0972, 315-363-1500

Fax: 315-363-0193

E-Mail: pumps@westmoorltd.com