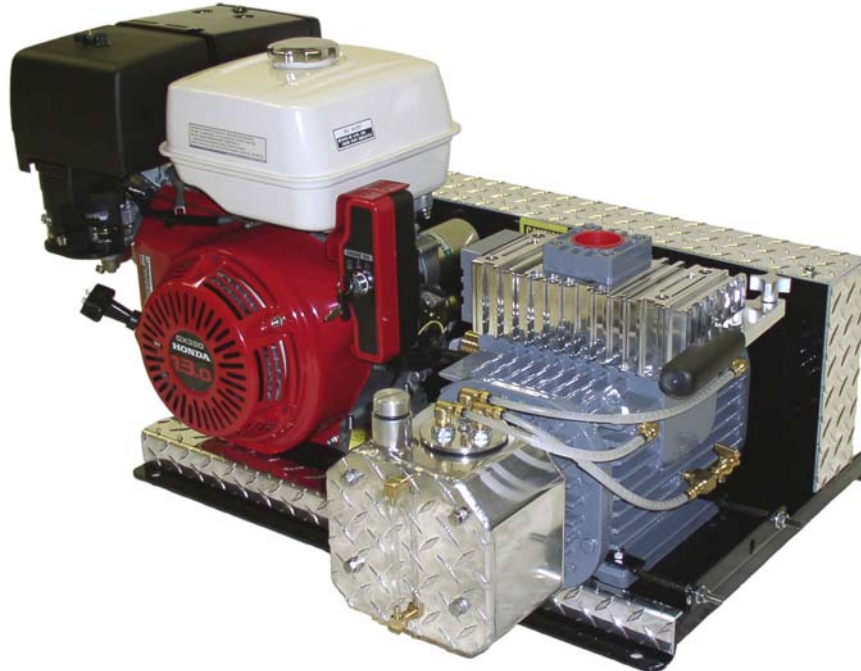




Made in the U.S.A. since 1939

SDS 12 Power Pak

Gasoline Powered Vacuum Units



Conde PowerPak gasoline powered vacuum pump units are compact and available with either Conde vacuum/pressure or vacuum only pumps. Electric or pull start Honda engines can be specified. Standard with v-belt drive with beautiful diamond plate belt guard and trim. Conde PowerPak units are ready to quickly install on your system for your vacuum needs. Quality, reliability, and ease of operation!

Conde SDS 12 Vacuum Pump

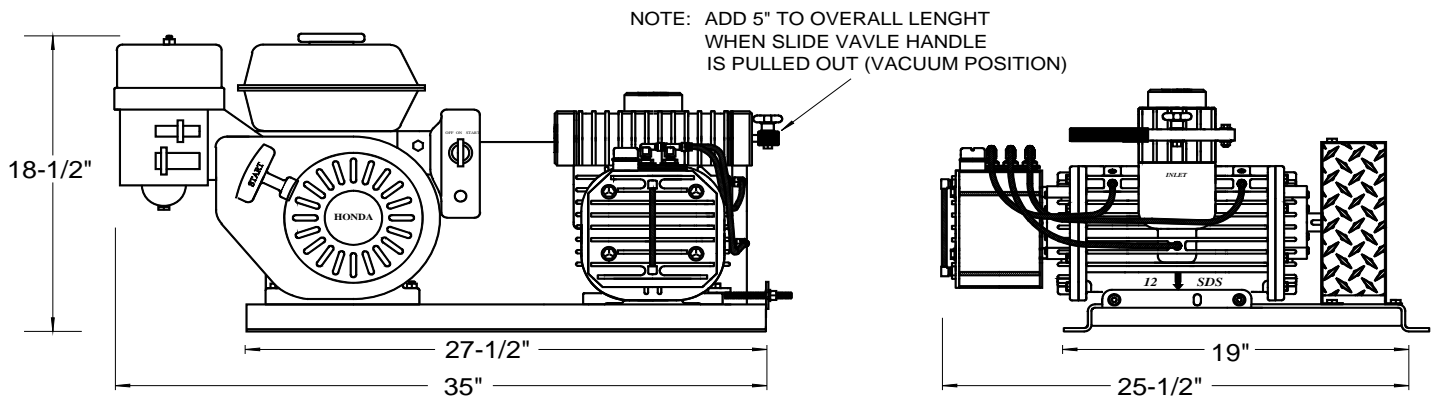
- * 180 CFM Free Air.
- * Double Shaft Design.
- * O-Ring Seals Prevent Leakage.
- * Automatic Oiling, No Adjustment.
- * Low Profile, Mounts Where Others Can't.
- * Sealed Bearings Require No Maintenance.
- * End Thrust Protection.
- * Tangential Rotor Design For Longer Vane Life.
- * ONE YEAR WARRANTY

Honda OHV Gasoline Engines

- * OHV Head Design.
- * Cast Iron Sleeve Cylinder.
- * Ball Bearing Crankshaft.
- * Automatic Oil Alert System Shuts Motor Down When Oil Is Low.
- * Low Vibration & Noise.
- * Low Maintenance.
- * Easy Starting.
- * Two Year Manufacturer's Warranty.



DIMENSIONAL SPECIFICATIONS



TECHNICAL SPECIFICATIONS

Part No.	OLUN12SDS13E	HDUN12SDS13E
CFM, FREE AIR	180	180
CFM, 15" Hg	90	90
Horsepower	13	13
Honda El. Start	YES	YES
Vacuum/Pressure	NO	YES
Vacuum Only	YES	NO
Maximum Vacuum	27" Hg	27" Hg
Maximum Pressure*	15 PSIG	15 PSIG
Weight	270 Lbs.	275 Lbs.
Oiler	Automatic	Automatic

* Conde Pumps recommends that pressures on tank systems do not exceed 10 psi. Unit pressure relief vents are set at 5 to 10 psig. Pressure vents will relieve tank pressure when unit is shut off. For higher pressures consult factory.

PERFORMANCE SPECIFICATIONS

Tank Pull Down Time to 15" Hg

TANK SIZE	SDS 12, 13 HP
500 gallons	14 sec.
750 gallons	21 sec.
1000 gallons	28 sec.
1500 gallons	42 sec.
2000 gallons	56 sec.

Conde'Pumps

Westmoor Ltd.

**906 West Hamilton Avenue
P.O. Box 99
Sherrill, New York 13461**

Phone: 800-367-0972, 315-363-1500

Fax: 315-363-0193

E-Mail: pumps@westmoorltd.com