



# **SDS Ultra Power Pak**

**Made in the U.S.A. since 1939**

**Gasoline Powered Vacuum Unit**



Conde PowerPak gasoline powered vacuum pump units are compact and available with either Conde vacuum/pressure or vacuum only pumps. Standard with v-belt drive with beautiful diamond plate belt guard and trim. Conde PowerPak units are ready to quickly install on your system for your vacuum needs. Quality, reliability, and ease of operation!

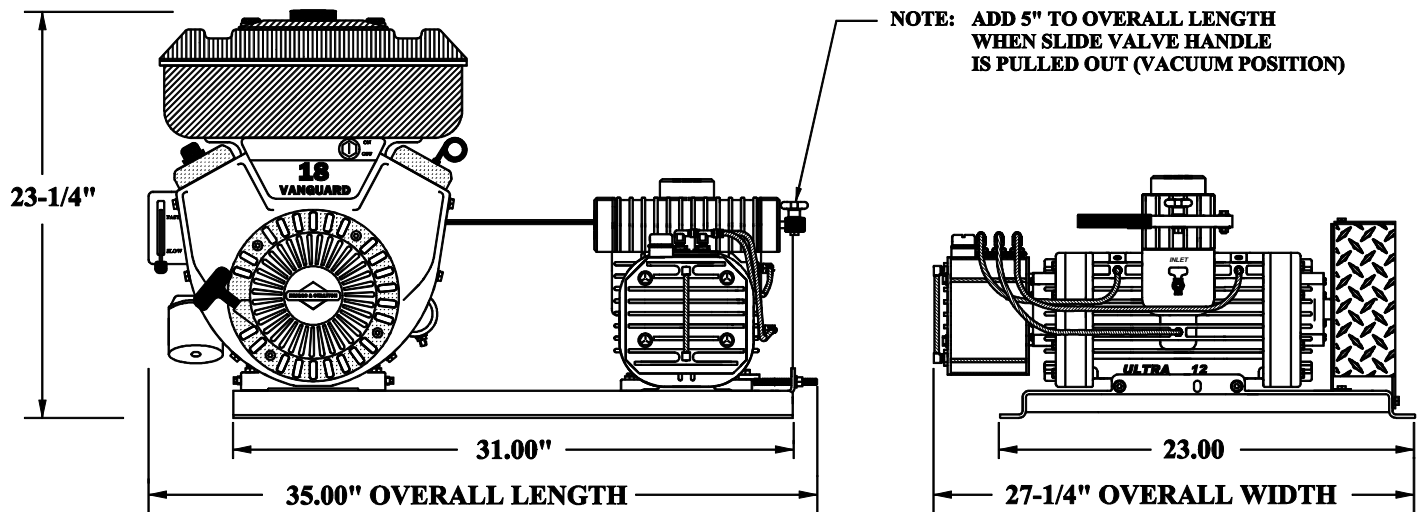
## **Conde SDS Ultra Vacuum Pump**

- \*230 CFM Free Air.
- \* Double Shaft Design.
- \* O-Ring Seals Prevent Leakage.
- \* Automatic Oiling, No Adjustment.
- \* Low Profile, Mounts Where Others Can't.
- \* Sealed Bearings Require No Maintenance.
- \* End Thrust Protection.
- \* Tangential Rotor Design For Longer Vane Life.
- \* ONE YEAR WARRANTY

## **Briggs Air Cooled 18 HP Twin**

- \* OHV Head Design.
- \* Cast Iron Sleeve Cylinder.
- \* Automatic Oil Alert System Shuts Motor Down When Oil Is Low.
- \* Low Vibration & Noise.
- \* Low Maintenance.
- \* Easy Starting.
- \* Two Year Manufacturer's Warranty.

# DIMENSIONAL SPECIFICATIONS



PART NO.	OLUN12SDSULT18	HDUN12SDSULT18
CFM, FA DISPLACEMENT	230	230
CFM @ 15" HG	94	94
HORSEPOWER	18	18
BRIGGS & STRATTON	ELECTRIC START	ELECTRIC START
VACUUM/PRESSURE	NO	YES
VACUUM ONLY	YES	NO
MAXIMUM VACUUM	27" HG	27" HG
MAXIMUM PRESSURE*	15 PSIG	15 PSIG
WEIGHT	340	347
OILER	AUTOMATIC	AUTOMATIC

\* CONDE PUMPS RECOMMENDS THAT PRESSURES ON TANK SYSTEMS DO NOT EXCEED 10 PSI.  
 A PRESSURE RELIEF VALVE IS REQUIRED (SET NOT TO EXCEED 10 PSI).  
 PRESSURE VENT ON PUMP WILL RELIEF TANK PRESSURE WHEN UNIT IS OFF.

## PERFORMANCE SPECIFICATIONS

TANK SIZE	#12 SDS ULTRA, 18 HP
500 GALLONS	12 SECONDS
750 GALLONS	18 SECONDS
1000 GALLONS	24 SECONDS
1500 GALLONS	36 SECONDS
2000 GALLONS	47 SECONDS

## CONDE' PUMPS

WESTMOOR LTD  
 906 WEST HAMILTON AVE  
 SHERRILL, NEW YORK 13461

PHONE: 800-367-0972, 315-363-1500  
 FAX: 315-363-0193  
 E-MAIL: pumps@westmoorltd.com