

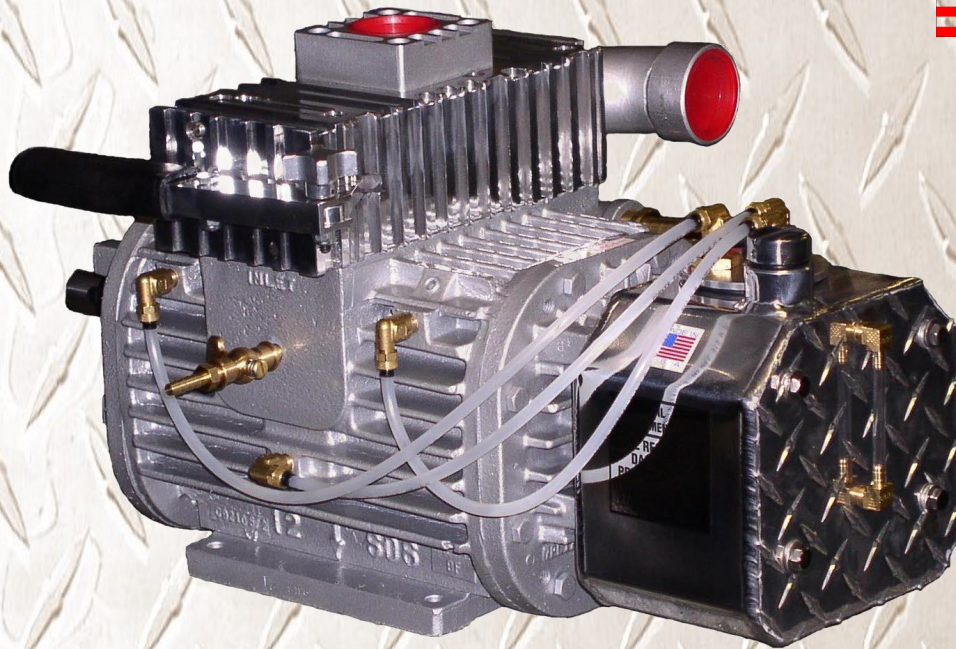


Est. 1939

SDS 12 Vacuum Pump

180 CFM

MADE IN



WITH ALL THE SAME FEATURES FOUND ON LARGER PUMPS

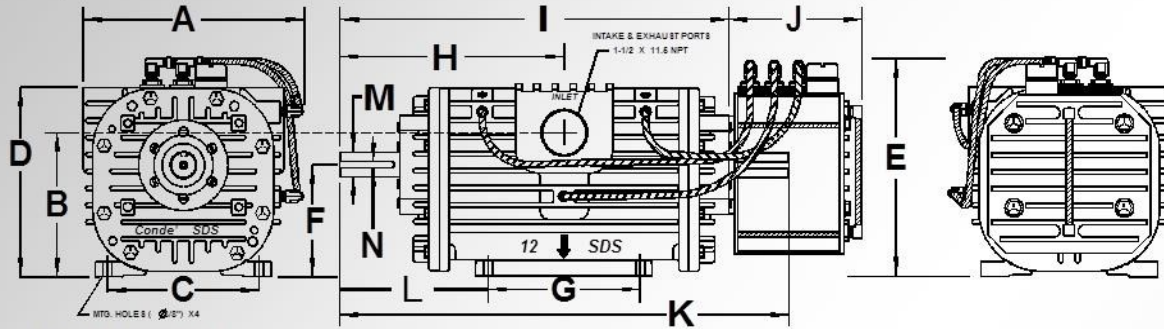
- * **O-Ring Seals**
Prevents any oil leakage and eliminates oil mess.
- * **Automatic Oiling**
Conde Automatic oilers require no adjustment. Simply add oil.
- * **Available in Vacuum only or Vacuum / Pressure**
Vacuum / Pressure models include built in check valve to hold tank vacuum, and vacuum relief valve mounted on pump.
- **Heavy Duty - HI TEMP. - Sealed Bearings**
Bearings Lubricated with - KRYTOX GREASE - Maintaining Lubrication under HEAVY LOADS & EXTREME HEAT.
- * **End Thrust Protection To Prevent End Plate to Rotor Wear.**
- * **ONE YEAR WARRANTY !**

SDS 12

DIMENSIONAL SPECIFICATIONS



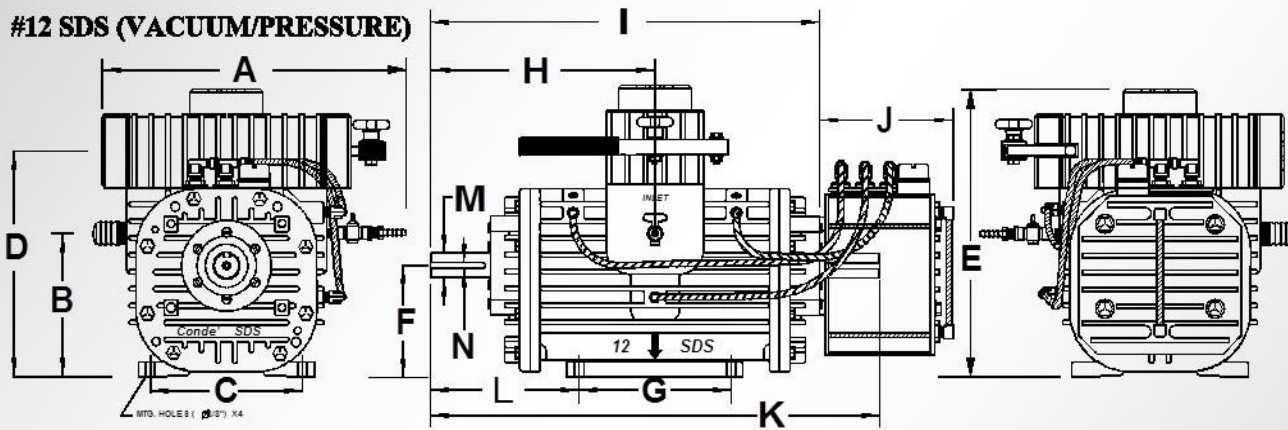
#12 SDS (VACUUM)



ALL DIMENSIONS IN INCHES

A	B	C	D	E	F	G	H	I	J	K	L	M	N
8-7/8	5-7/8	6-1/4	7-3/4	9-1/4	4-9/16	6-1/4	9-31/32	16-7/8	5-1/2	19-15/16	6-27/32	1-1/8	1/4 X 1/4 2" LGTH

#12 SDS (VACUUM/PRESSURE)



ALL DIMENSIONS IN INCHES

A	B	C	D	E	F	G	H	I	J	K	L	M	N
12-5/8	6-1/4	6-1/4	9-1/4	11-3/4	4-9/16	6-1/4	9-31/32	16-7/8	5-1/2	19-15/16	6-27/32	1-1/8	1/4 X 1/4 2" LGTH

PERFORMANCE DATA

PUMP RPM	DISPLACEMENT CFM	SCFM @ VACUUM				
		5	10	15	18	20
1200	123	104	71	62	47	56
1500	154	131	104	77	51	42
1750	180	153	122	90	69	21

PUMP RPM	DISPLACEMENT CFM	SCFM @ PRESSURE				
		2	4	8	12	15
1750	180	178	176	165	158	144

SPEED RANGE

1100 THRU 1500 RPM

MAXIMUM VACUUM

27" HG INTERMITTENT
20" HG CONTINUOUS

LUBRICATION

CONDE AUTOMATIC

PORT CONNECTION

1-1/2 - 11.5 NPT

SHAFT DIAMETER

1-1/8"

WEIGHT (VACUUM)

120 LBS.

(VACUUM/PRESSURE)

125 LBS.

WESTMOOR LTD.
906 WEST HAMILTON AVE
SHERRILL, NY 13461



PHONE: 800-367-0972

WWW.WESTMOORLTD.COM