

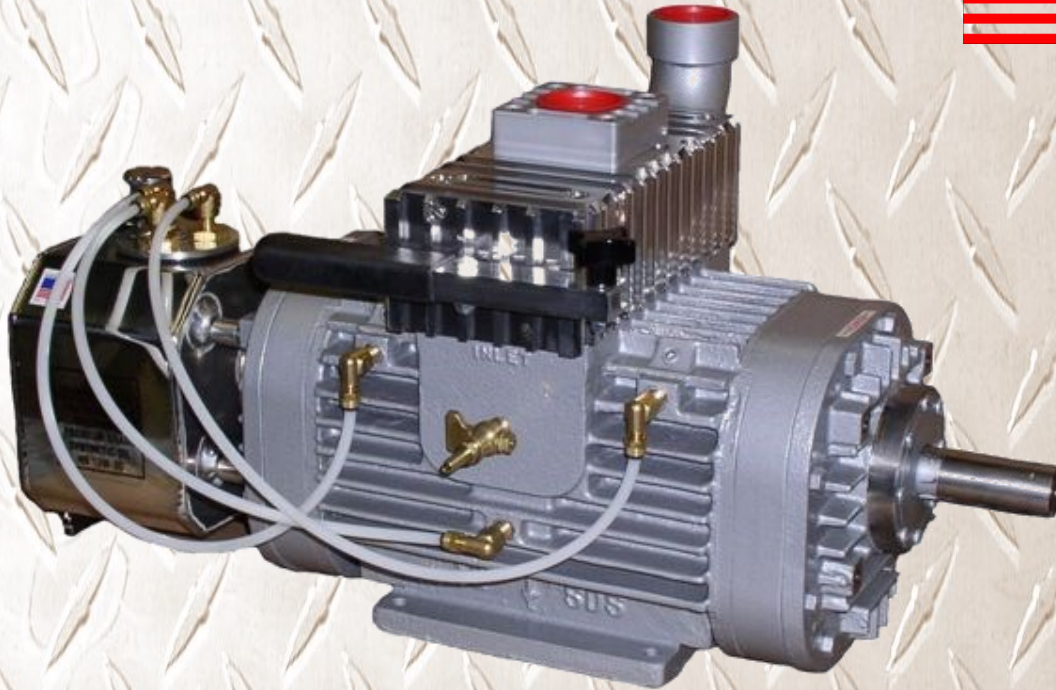


Est. 1939

SDS ULTRA Vacuum Pump

230 CFM

MADE IN



WITH ALL THE SAME FEATURES FOUND ON LARGER PUMPS

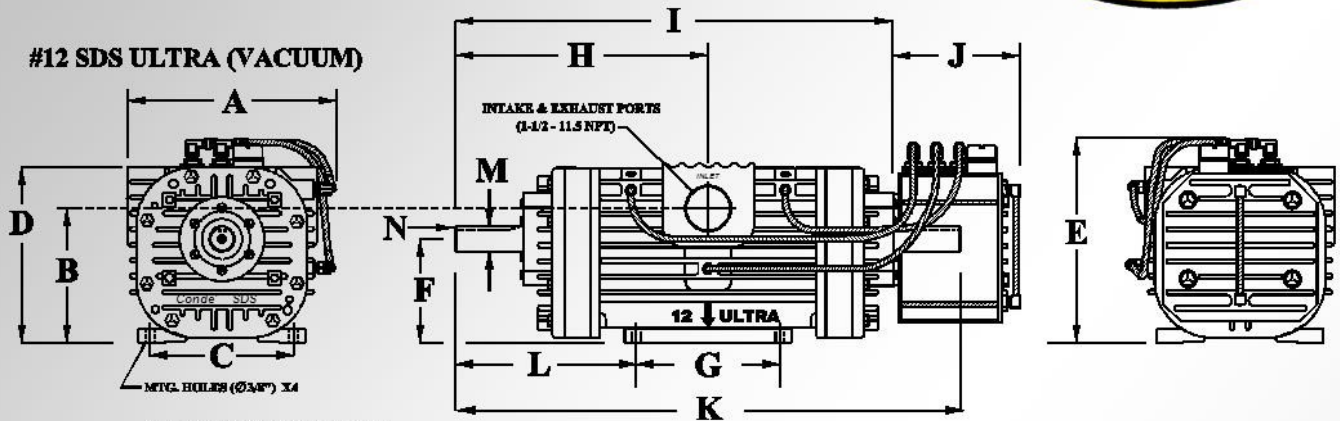
- * **O-Ring Seals**
Prevents any oil leakage and eliminates oil mess.
- * **Automatic Oiling**
Conde Automatic oilers require no adjustment. Simply add oil.
- * **Available in Vacuum only or Vacuum / Pressure**
Vacuum / Pressure models include built in check valve to hold tank vacuum, and vacuum relief valve mounted on pump.
- **Heavy Duty - HI TEMP. - Sealed Bearings**
Bearings Lubricated with - KRYTOX GREASE - Maintaining Lubrication under HEAVY LOADS & EXTREME HEAT.
- * **End Thrust Protection To Prevent End Plate to Rotor Wear.**
- * **ONE YEAR WARRANTY !**

SDS ULTRA

DIMENSIONAL SPECIFICATIONS



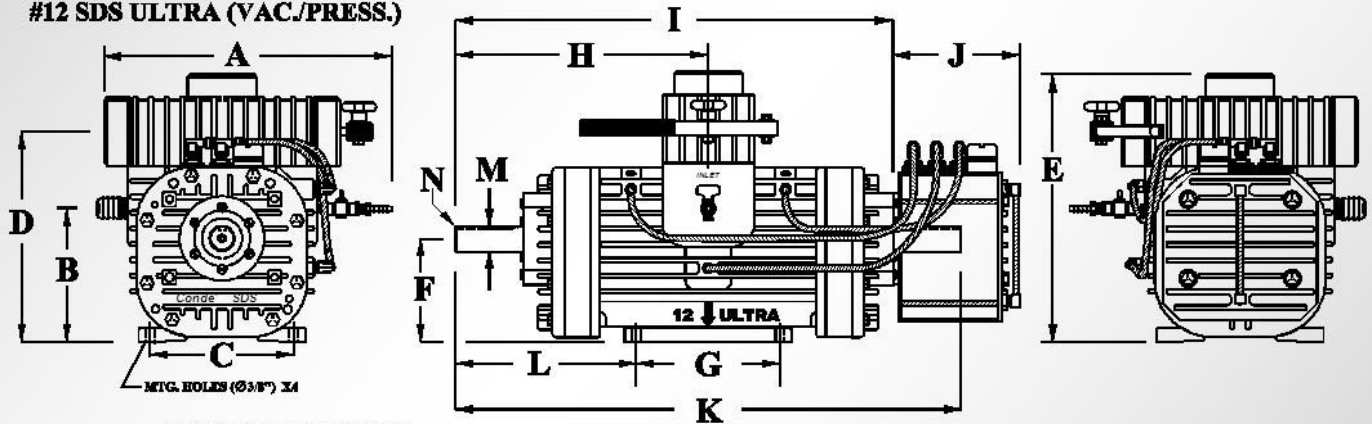
#12 SDS ULTRA (VACUUM)



ALL DIMENSIONS IN INCHES

A	B	C	D	E	F	G	H	I	J	K	L	M	N
8-7/8	5-7/8	6-1/4	8	9-1/4	4-9/16	6-1/4	11	19	5-1/2	22	7-7/8	1-1/8	1/4 KEY

#12 SDS ULTRA (VAC./PRESS.)



ALL DIMENSIONS IN INCHES

A	B	C	D	E	F	G	H	I	J	K	L	M	N
12-5/8	6-1/4	6-1/4	9-1/4	11-3/4	4-9/16	6-1/4	11	19	5-1/2	22	7-7/8	1-1/8	1/4 KEY

PERFORMANCE DATA

PUMP RPM	DISPLACEMENT CFM	SCFM & ACFM @ VACUUM					
		5	10	15	18	20	
1500	230	SCFM	165	129	94	72	56
		ACFM	198	193	188	180	167
1200	185	SCFM	135	106	76	59	46
		ACFM	163	159	152	148	140

PUMP RPM	DISPLACEMENT CFM	SCFM @ PSIG			
		5	10	15	
1500	230	SCFM	194	188	178

SPEED RANGE	1100 THRU 1500 RPM
MAXIMUM VACUUM	28" HG INTERMITTENT 20" HG CONTINUOUS
LUBRICATION	CONDE AUTOMATIC
PORT CONNECTION	1-1/2-11.5 NPT
SHAFT DIAMETER	1-1/8"
WEIGHT (VACUUM)	145 LBS
WEIGHT (VAC./PRESS.)	152 LBS

WESTMOOR LTD.
906 WEST HAMILTON AVE
SHERRILL, NY 13461



PHONE: 800-367-0972
WWW.WESTMOORLTD.COM