

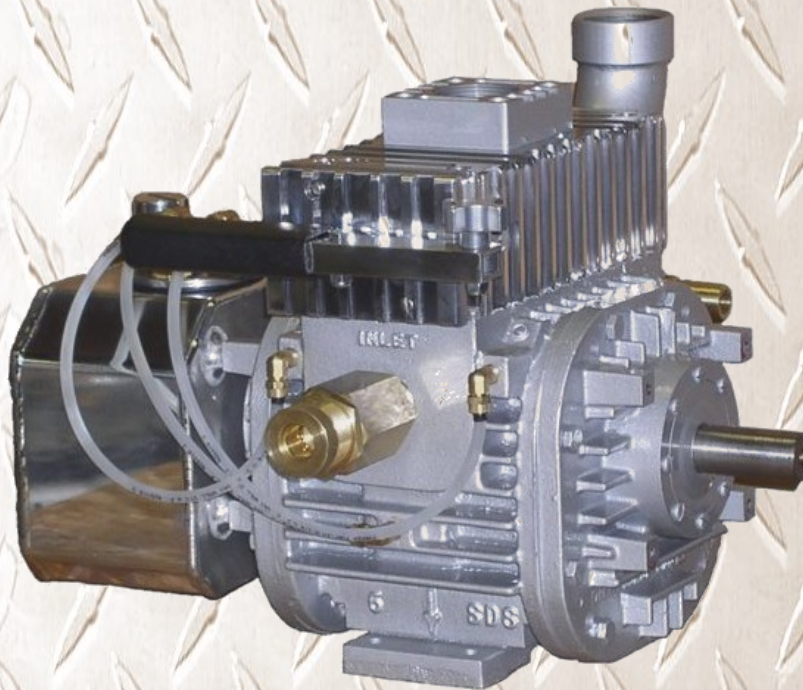


Est. 1939

# SDS 6 Vacuum Pump

## 115 CFM

MADE IN



### WITH ALL THE SAME FEATURES FOUND ON LARGER PUMPS

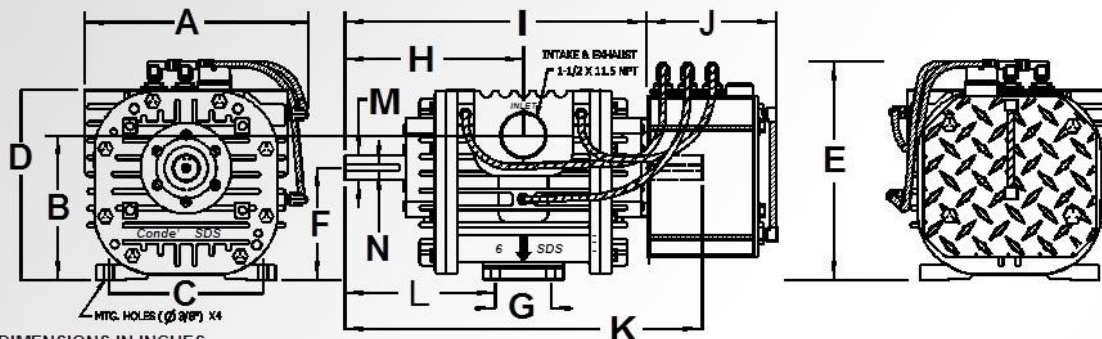
- \* **O-Ring Seals**  
Prevents any oil leakage and eliminates oil mess.
- \* **Automatic Oiling**  
Conde Automatic oilers require no adjustment. Simply add oil.
- \* **Available in Vacuum only or Vacuum / Pressure**  
Vacuum / Pressure models include built in check valve to hold tank vacuum, and vacuum relief valve mounted on pump.
- **Heavy Duty - HI TEMP. - Sealed Bearings**  
Bearings Lubricated with - KRYTOX GREASE - Maintaining Lubrication under HEAVY LOADS & EXTREME HEAT.
- \* **End Thrust Protection To Prevent End Plate to Rotor Wear.**
- \* **ONE YEAR WARRANTY !**



# SDS 6

## DIMENSIONAL SPECIFICATIONS

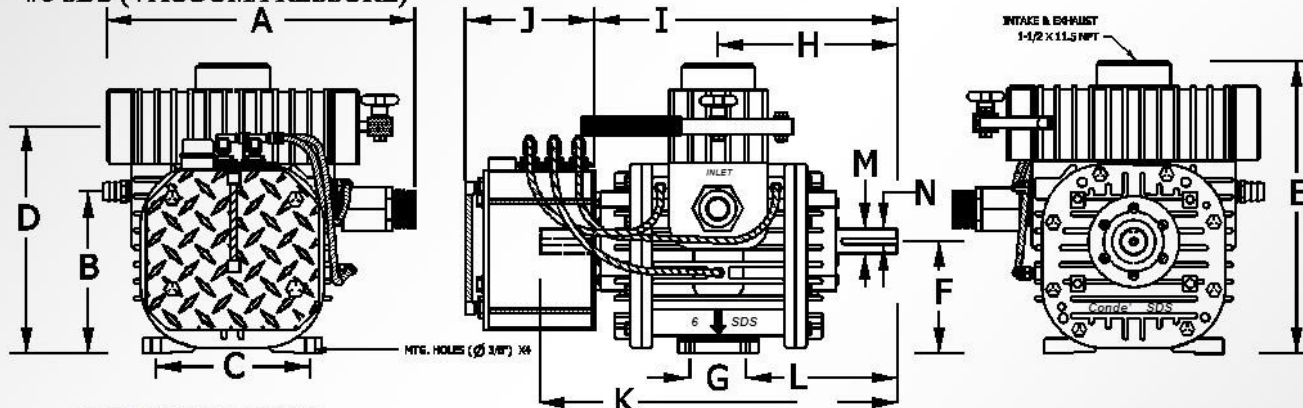
### #6 SDS (VACUUM)



ALL DIMENSIONS IN INCHES

A	B	C	D	E	F	G	H	I	J	K	L	M	N
8-7/8	5-7/8	6-1/4	7-3/4	9-1/4	4-9/16	2-1/4	7-1/4	12-1/4	5-1/2	14-1/2	6-1/8	1.0	1/4 X 1/4

### #6 SDS (VACUUM/PRESSURE)



ALL DIMENSIONS IN INCHES

A	B	C	D	E	F	G	H	I	J	K	L	M	N
13-1/2	6-9/16	6-1/4	9-1/4	11-3/4	4-9/16	2-1/4	7-1/4	12-1/4	5-1/2	14-1/2	6-1/8	1.0	1/4 X 1/4

## PERFORMANCE DATA

PUMP RPM	DISPLACEMENT		SCFM @ VACUUM				
	CFM		5	10	15	18	20
1200	79	67	46	38	30	25	
1500	99	84	67	47	38	31	
1750	115	98	78	55	44	36	

PUMP RPM	DISPLACEMENT		SCFM @ PRESSURE				
	CFM		2	4	8	12	15
1750	115	111	108	105	99	92	

SPEED RANGE

1100 THRU 1500 RPM

MAXIMUM VACUUM

27" HG INTERMITTENT

20" HG CONTINUOUS

LUBRICATION

CONDE AUTOMATIC

PORT CONNECTION

1-1/2 - 11.5 NPT

SHAFT DIAMETER

1.0"

WEIGHT (VACUUM)

87 LBS

(VACUUM/PRESSURE)

92 LBS

**WESTMOOR LTD.**  
**906 WEST HAMILTON AVE**  
**SHERRILL, NY 13461**

**PHONE: 800-367-0972**  
**WWW.WESTMOORLTD.COM**