

Accessories for the Conde SDS 6



Item #2

Oil Catch Muffler

PN: MFOC3612

Item #6

SS. Pre-Filter

PN: LWTRPF150

Item #8

SS. Moisture Trap

PN: LWTRM01SS

Item #10

Primary Shut-Off Steel

PN:LWTRP02

Primary Shut-Off Alum.

PN: LWTRP01

Primary Shut-Off S.S.

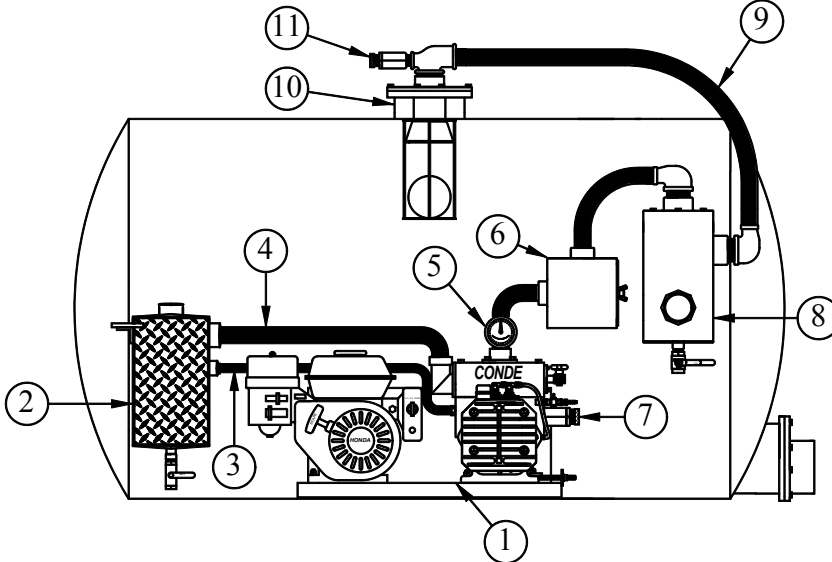
PN:LWTRP03

Item #5, Vac/Press Gauge, PN:GAGE016, \$83.50

Item #7, Vacuum Relief Valve included with pump

Item # 11, Pressure Relief Valve, PN:RVP13P, \$97.00

TYPICAL TANK SET UP



- 1 - CONDE VACUUM / PRESSURE GAS UNIT
- 2 - OIL CATCH MUFFLER
- 3 - PRESSURE VENT HOSE
- 4 - PUMP EXHAUST HOSE
- 5 - LIQUID FILLED VACUUM/PRESSURE GAUGE
- 6 - S.S. PRE-FILTER
- 7 - VACUUM RELIEF VALVE
- 8 - S.S. SECONDARY TRAP
- 9 - VACUUM/PRESSURE RATED HOSE
- 10 - PRIMARY TRAP
- 11 - PRESSURE RELIEF VALVE



Save Money. Buy the complete accessory package including Primary Shut-Off, Oil Catch Muffler, Final Filter and Secondary Trap
 PN:LWPKG1 w/Steel Primary
 PN:LWPKG1A w/Alum. Primary
 PN:LWPKG1S w/Stainless Primary